

Designed for systems that require pressure regulation at an inaccessible location.

A pilot regulator (ordered separately) controls the outlet pressure of the pilot operated regulator.

Technical data

Fluid:

Compressed air, neutral gases
NOTE: Contact technical support for use with other media.

Inlet pressure range:

10 psig (0.7 bar) to 400 psig (27.6 bar)

Operating temperature:

0° to 175°F (-20° to 80°C) **
** Air supply must be dry enough to avoid ice formation at temperatures below 35°F (2°C).

Materials

11-042

Body: zinc
Bonnet: aluminum
Bottom plug: acetal
Valve: brass
Elastomers: nitrile

| Port sizes | Main | Gauge | Pilot | Exhaust |
|----------------|------|-------|-------|---------|
| 1/4" | 1/4" | 1/4" | 1/4" | 3/4" |
| 3/8" | 3/8" | 3/8" | 1/4" | 3/4" |
| 1/2", 3/4", 1" | 1/2" | 1/4" | 1/4" | 3/4" |
| 1", 1-1/4" | | | | |

11-008

Constant bleed type

11-008

Body: zinc
Bonnet: aluminum
Bottom plug:
1/2", 3/4 ports: glass filled nylon
1" ports: aluminum
Gauge port: 1/8" NPT
Pilot port: 1/4" NPT
Valve: brass
Elastomers: nitrile



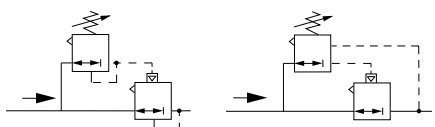
11-042



11-008
Constant bleed type

11-042 and 11-008 Pilot Operated Regulator Ordering Information

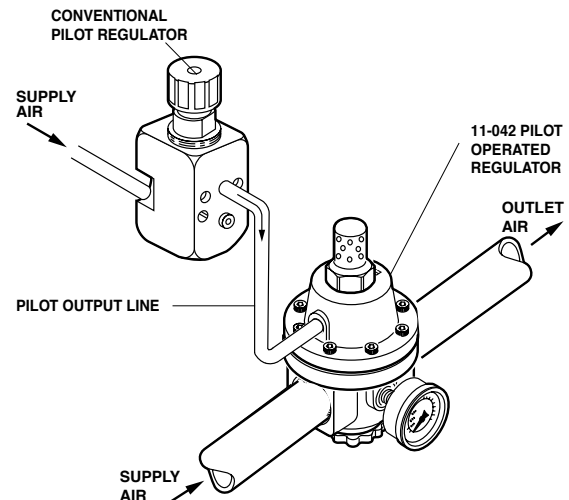
Models listed include relieving diaphragm and PTF threads. Also order a pilot regulator. Requires a pilot regulator (ordered separately).

| ISO Symbols | Port Size | Model | Flow* scfm (dm ³ /s) | Weight lb (kg) |
|---|-----------|------------|---------------------------------|----------------|
|  <p>With Conventional Pilot Regulator</p> <p>With Feedback Pilot Regulator</p> | 1/4" | 11-042-001 | 120 (57) | 2.8 (1.3) |
| | 3/8" | 11-042-002 | 120 (57) | 2.7 (1.2) |
| | 1/2" | 11-042-003 | 120 (57) | 2.6 (1.2) |
| | 3/4" | 11-042-007 | 300 (142) | 4.8 (2.2) |
| | 1" | 11-042-008 | 300 (142) | 4.6 (2.1) |
| | 1-1/4" | 11-042-009 | 300 (142) | 4.3 (2.0) |
| | 1/2" | 11-008-130 | 70 (33) | 1.6 (0.7) |
| | 3/4" | 11-008-009 | 110 (52) | 4.9 (2.2) |
| | 1" | 11-008-110 | 180 (85) | 4.6 (2.1) |

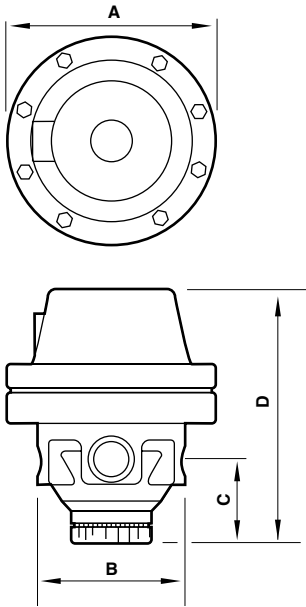
* Typical flow with 100 psig (0.7 bar) inlet pressure, 90 psig (6.3 bar) set pressure and a droop of 5 psig (0.35 bar) from set.

Feedback Pilot Regulator Warning

The feedback line must sense the pilot operated regulator outlet pressure and must be connected before turning on the air supply. If the feedback line is not connected, the pilot operated regulator outlet pressure will rapidly increase to the inlet pressure when the adjusting knob on the pilot regulator is turned clockwise.

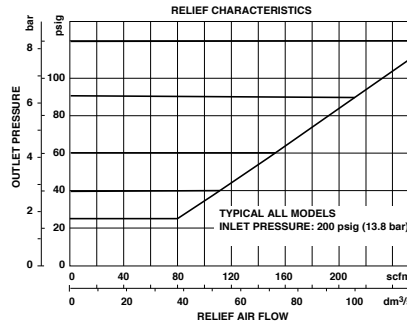
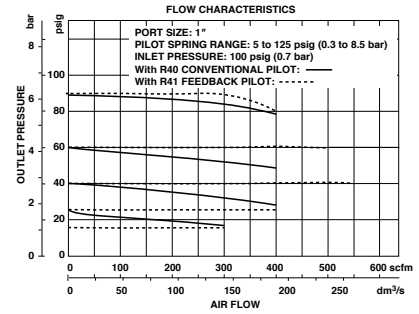
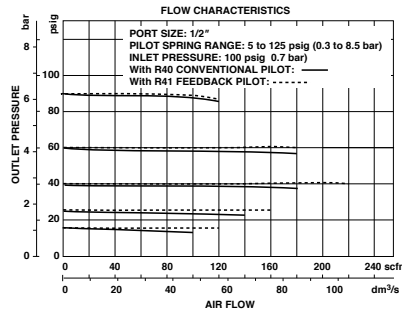


11-042



| Port Size | A | B | C | D |
|------------------|---------------|--------------|--------------|---------------|
| 1/4", 3/8", 1/2" | 4.16 (106) | 2.71 (69) | 1.48 (38) | 5.07 (129) |
| 3/4", 1", 1-1/4" | 4.16 (106) | 3.65 (93) | 1.86 (47) | 5.97 (152) |

Typical Performance Characteristics

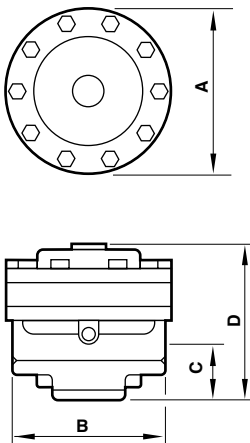


11-042 Service Kits

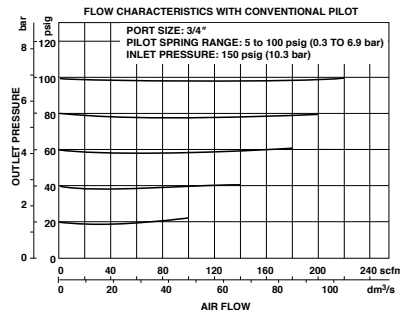
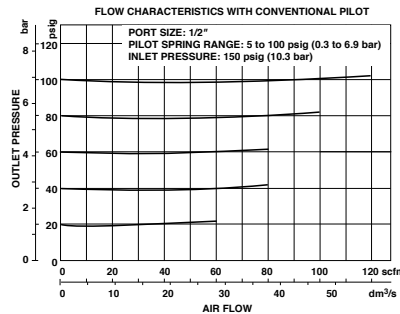
| Type | Part number |
|---------------------------------------|-------------|
| Kit for 1/4", 3/8", 1/2" units | 4158-01 |
| Kit for 3/4", 1", 1-1/4" units | 4158-02 |
| O-ring kit for 1/4", 3/8", 1/2" units | 4158-03 |
| O-ring kit for 3/4", 1", 1-1/4" units | 4158-04 |

Kit contains filter screen, diaphragm, and all o-rings. O-ring kit contains filter screen and all o-rings.

11-008



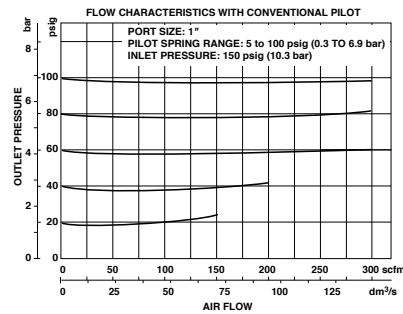
| Port Size | A | B | C | D |
|-----------|---------------|---------------|--------------|---------------|
| 1/2" | 3.34 (85) | 3.38 (86) | 1.50 (38) | 3.30 (84) |
| 3/4", 1" | 4.91 (125) | 4.63 (118) | 1.69 (43) | 4.36 (111) |



11-008 Service Kits

| Type | Part number |
|-----------------------|-------------|
| 1/2" ported units | 695-01 |
| 3/4", 1" ported units | 696-01 |

Kit contains diaphragm, valve, and all o-rings.



Dimensions in inches (mm)